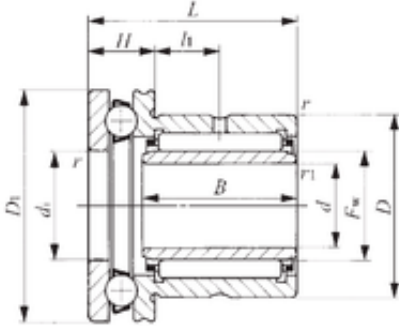




AMERICAN SKF BEARING MFG.CORP.

40 mm x 58 mm x 20 mm IKO NAXI 4032
complex bearings



Bearing No. NAXI 4032

NAXI 4032 Bearing 2D drawings and 3D CAD models

Bore Diameter	40 mm
Outer Diameter	58 mm
d	40 mm
Fw	45 mm
D	58 mm
D1	65 mm
B	20 mm
d1	45 mm
r min.	0,6 mm
r1 min.	0,3 mm
H	14 mm
L	32 mm
L1	9 mm
da min.	57 mm
db	44 mm
Weight	0,315 Kg
Dynamic load rating radial (C)	31 kN
Dynamic load rating axial (C)	27,9 kN
Static load rating radial (C0)	60,2 kN
Static load rating axial (C0)	55,1 kN
Category	Bearings
Inventory	0.0
Manufacturer Name	IKO
Minimum Buy Quantity	N/A



AMERICAN SKF BEARING MFG.CORP.

Weight / Kilogram	0
Product Group	B04144