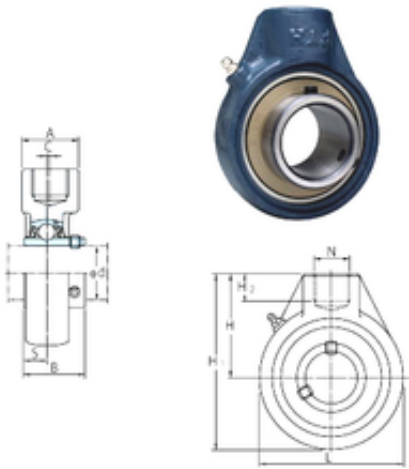




AMERICAN SKF BEARING MFG.CORP.

FYH UCHA212-38 bearing units



Bearing No. UCHA212-38

| | |
|-------------------------------|-----------|
| Bore Diameter | 60,325 mm |
| Width | 65,1 mm |
| d | 60,325 mm |
| A | 60 mm |
| B | 65,1 mm |
| C | 9 mm |
| H | 102 mm |
| H1 | 173 mm |
| H2 | 28 mm |
| L | 142 mm |
| S | 25,4 mm |
| Bolt (G) | PF 1 1/4 |
| Weight | 3,9 Kg |
| Basic dynamic load rating (C) | 52,4 kN |
| Basic static load rating (C0) | 36,2 kN |

UCHA212-38 Bearing 2D drawings and 3D CAD models