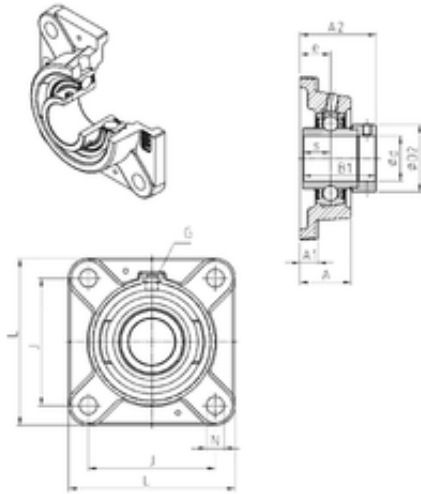




# AMERICAN SKF BEARING MFG.CORP.

## SNR EXFE215 bearing units

Bearing No. EXFE215



EXFE215 Bearing 2D drawings and 3D CAD models

Bore Diameter	75 mm
d	75 mm
e	41,3 mm
s	37,3 mm
A	59 mm
A1	20 mm
B1	92,1 mm
D2	102 mm
J	153 mm
L	197 mm
N	23 mm
Thread (G)	R1/8"
A2	96,1 mm
Weight	6,9 Kg
Basic dynamic load rating (C)	66 kN