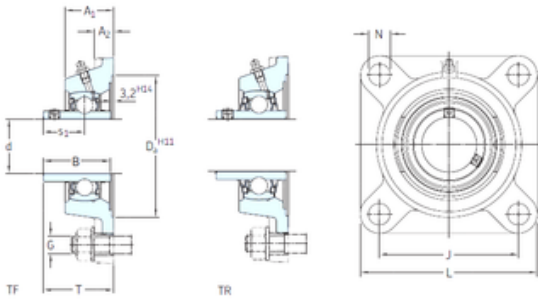




AMERICAN SKF BEARING MFG.CORP.

SKF FYJ 80 TF bearing units

Bearing No. FYJ 80 TF



FYJ 80 TF Bearing 2D drawings and 3D CAD models

Bore Diameter	80 mm
d	80 mm
Da	179,4 mm
s1	47,7 mm
A1	54,5 mm
B	77,9 mm
G	20 mm
J	165 mm
L	208 mm
N	23 mm
T	81,7 mm
A2	22 mm
Weight	7,60 Kg
Basic dynamic load rating (C)	72,8 kN
Basic static load rating (C0)	53 kN
Fatigue load limit (Pu)	2,16
Category	Flange Block Bearings
Inventory	0.0
Manufacturer Name	SKF
Minimum Buy Quantity	N/A
Weight / Kilogram	7.63
Product Group	M06110
Number of Mounting Holes	4
Mounting Method	Set Screw
Housing Style	4 Bolt Square Flange Block
Rolling Element	Ball Bearing



AMERICAN SKF BEARING MFG.CORP.

Housing Material	Cast Iron
Expansion / Non-expansion	Non-expansion
Mounting Bolts	20 Millimeter
Relubricatable	Yes
Insert Part Number	YAR 216-2F
Seals	M Seal
Housing Configuration	1 Piece Solid
Pilot Configuration	No Pilot
Inch - Metric	Metric
Long Description	4 Bolt Square Flange Block; 80MM Bore; 233.3MM Bolt Circle; 165MM Bolt Spacing; 1 Piece Solid; Set Screw Mount; Cast Iron; Ball Bearing; 77.9MM Length Thru Bore; Relubricatable; M Seal Seals
Other Features	Single Row Wide Inner Race Open End Has Flinger Y Bearing
Category	Flange Block
UNSPSC	31171501
Harmonized Tariff Code	8483.20.40.40
Noun	Bearing
Keyword String	Flanged
Manufacturer URL	http://www.skf.com
Manufacturer Item Number	FYJ 80 TF
Weight / LBS	16.8
Nominal Bolt Circle Diameter Round	9.2 Inch 233.3 Millimeter
Bore	3.15 Inch 80 Millimeter
Bolt Spacing	6.496 Inch 165 Millimeter
Cartridge Pilot Diameter	0 Inch 0 Millimeter
Length Thru Bore	3.067 Inch 77.9 Millimeter
Cartridge Pilot Depth	0 Inch 0 Millimeter



AMERICAN SKF BEARING MFG.CORP.

bore diameter:	80 mm
radial static load capacity:	53 kN
bolt center-to-center length:	165 mm
end type:	Open
overall length/diameter:	208 mm
length through bore:	81.7 mm
bore type:	Round
finish/coating:	Uncoated
mounting type:	Four-Bolt Flange
lubrication type:	Lubrication Fitting
housing material:	Cast Iron
series:	FYJ
locking device:	Set Screw
replacement bearing:	YAR 216-2F
expansion type:	Non-Expansion Bearing (Fixed)
manufacturer upc number:	7316570652994
radial dynamic load capacity:	72.8 kN
Housing material	Cast iron
D_a	179.4 mm
D_{b1}	162 mm
D_{b2}	171 mm
A	54.5 mm
A_1	22 mm
A_3	3.2 mm
s_1	47.6 mm
R_G	1/4-28 UNF
R_1	34.5 mm
D_N	6.5 mm
SW_N	7 mm
G_N	1/4-28 SAE-LT
J_6	184 mm



AMERICAN SKF BEARING MFG.CORP.

J_7	51.5 mm
N_4	4 mm
Basic dynamic load rating C	72.8 kN
Basic static load rating C_0	53 kN
Fatigue load limit P_u	2.16 kN
Limiting speed	2400 r/min
Mass bearing unit	6.85 kg
Thread grub screw G_2	M10x1
Hexagonal key size for grub screw N	5 mm
Recommended tightening torque for grub screw	16.5 N · m
Recommended diameter for attachment bolts, mm G	20 mm
Recommended diameter for attachment bolts, inch G	0.75 in