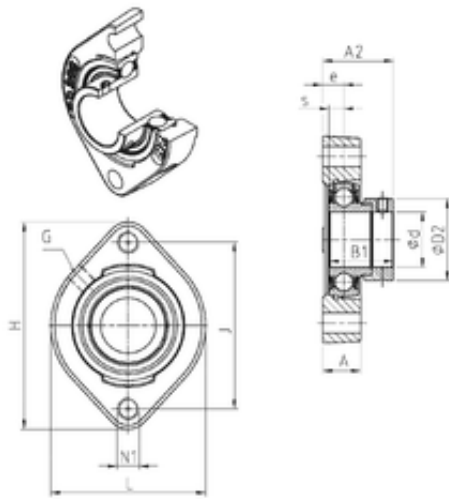




AMERICAN SKF BEARING MFG.CORP.

SNR ESFD201M100 bearing units

Bearing No. ESFD201M100



ESFD201M100 Bearing 2D drawings and 3D CAD models

Bore Diameter	12 mm
d	12 mm
e	8,4 mm
s	6,5 mm
A	15 mm
B1	28,6 mm
D2	28,6 mm
H	81 mm
J	63,5 mm
L	58,7 mm
Thread (G)	M6x1
A2	30,5 mm
Thread (N1)	M6
Weight	0,3 Kg
Basic dynamic load rating (C)	9,55 kN